



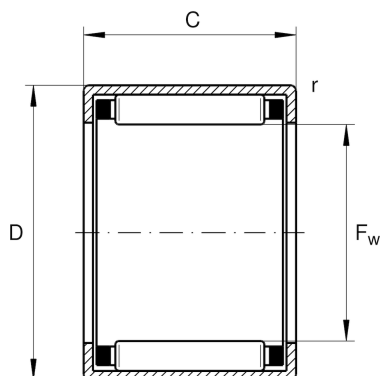
## HK3516

Drawn cup needle roller bearing open end

Schaeffler ID:  
0075144500000

Drawn cup needle roller bearings with  
open ends HK, to DIN 618/ISO 3245

### Technical information



#### Main Dimensions & Performance Data

$F_w$	35 mm	Under roller diameter
$D$	42 mm	Outside diameter
$C$	16 mm	Width
$C_r$	18,700 N	Basic dynamic load rating, radial
$C_{0r}$	33,500 N	Basic static load rating, radial
$C_{ur}$	4,450 N	Fatigue load limit, radial
$n_G$	7,500 1/min	Limiting speed
$n_{G \text{ Grease}}$	4,500 1/min	Limiting speed for grease lubrication
$n_{gr}$	5,600 1/min	Reference speed
	35.3 g	Weight

#### Dimensions

	SD35X42X4	Sealing ring
$C_1$	16 mm	Width, outer ring
$r_{min}$	0.8 mm	Minimum chamfer dimension
	G35X42X4	Sealing ring 2
	LR30X35X16,5	Suitable inner rings LR
	IR30X35X16-XL	Suitable inner rings IR

#### Temperature range

$T_{min}$	-30 °C	Operating temperature min.
$T_{max}$	140 °C	Operating temperature max.